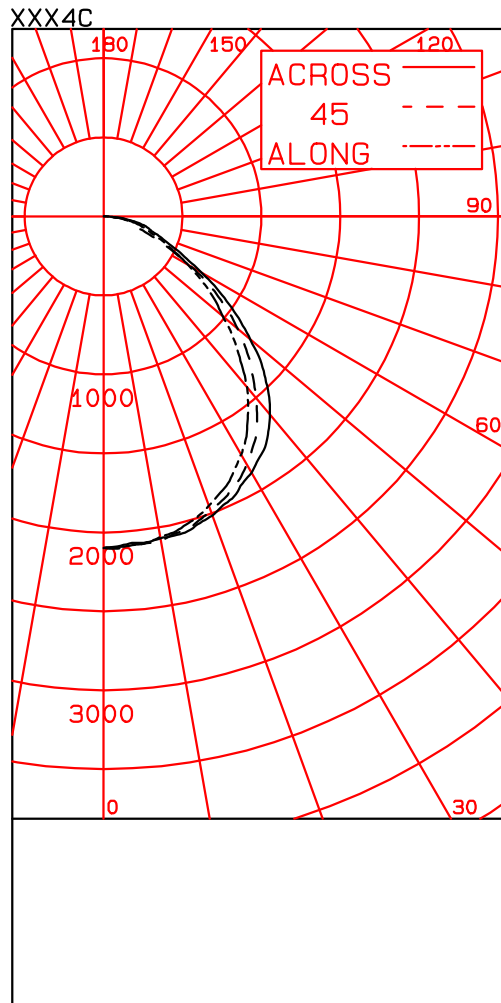


TEST REPORT NO. XXX4C
 ACCREDITED BY NVLAP (LAB CODE 500084-0) TO ISO/IES 17025:2005 FOR IES LM-79-08

COMPANY XYZ 2x4 LED LUMINAIRE CAT. NO. XXX4
 WITH WHITE POST-PAINTED INTERIOR AND PRISMATIC K12 LENS
 ARRAY OF WHITE LEDS. LUMEN OUTPUT = 5309 LMS.
 COMPANY ABC 120V LED DRIVER MODEL ABC1



CANDLEPOWER SUMMARY

OUTPUT LUMENS

ANGLE	ALONG	22.5	45	67.5	ACROSS	OUTPUT LUMENS
0	2098	2098	2098	2098	2098	
5	2089	2101	2089	2081	2076	202
10	2062	2086	2086	2074	2070	
15	2020	2043	2052	2051	2063	576
20	1950	1975	1986	2000	2015	
25	1866	1882	1915	1936	1957	878
30	1742	1775	1814	1847	1874	
35	1591	1630	1687	1745	1783	1049
40	1414	1454	1507	1585	1639	
45	1200	1241	1313	1393	1450	1012
50	987	1022	1107	1177	1215	
55	811	816	888	945	973	791
60	625	618	642	705	726	
65	460	430	421	478	522	462
70	340	306	266	336	385	
75	254	220	194	242	294	247
80	178	155	154	175	206	
85	81	83	76	87	94	91
90	0	0	0	0	0	

ZONAL LUMENS AND PERCENTAGES

ZONE	LUMENS	% LAMP	%LUMINAIRE
0-30	1655	31.19	31.19
0-40	2704	50.95	50.95
0-60	4507	84.91	84.91
0-90	5309	100.00	100.00
40-90	2603	49.05	49.05
60-90	801	15.09	15.09
90-180	0	.00	.00
0-180	5309	100.00	100.00

** EFFICACY = 75.0 LMS/WATT **

LUMINANCE SUMMARY-CD. / SQ. M.

PAINT REFLECTANCE = .83 S/MH = 1.3
 SC(ALONG) = 1.2, SC(ACROSS) = 1.3

ANGLE	ALONG	45	ACROSS
45	2627	2885	3186
55	2188	2406	2636
65	1686	1547	1920
75	1519	1162	1767
85	1443	1358	1672

PREPARED BY:

Charles Sison

DATE:
 JAN 3, 2014

PREPARED FOR:

COMPANY XYZ
 SOMEWHERE, ONTARIO

TESTED ACCORDING TO IES LM-79-2008. TEST DISTANCE EXCEEDS FIVE TIMES THE GREATEST LUMINOUS OPENING OF LUMINAIRE

LUMENTRA, INC.
 160 FROBISHER DRIVE, UNIT 5
 WATERLOO, ONTARIO

TEST REPORT NO. XXX4C
 COMPUTED BY LSC PROGRAM **TEST-LITE**

COMPANY XYZ 2x4 LED LUMINAIRE CAT. NO. XXX4
 WITH WHITE POST-PAINTED INTERIOR AND PRISMATIC K12 LENS
 ARRAY OF WHITE LEDS. LUMEN OUTPUT = 5309 LMS.
 COMPANY ABC 120V LED DRIVER MODEL ABC1

CANDLEPOWER DATA
 IN 2.5 DEGREE STEPS

ANGLE	PLANE						OUTPUT LUMENS
	ALONG	22.5	45	67.5	ACROSS	AVERAGE	
.0	2098	2098	2098	2098	2098	2098	
2.5	2095	2106	2104	2079	2090	2096	
5.0	2089	2101	2089	2081	2076	2088	202
7.5	2084	2087	2087	2078	2082	2084	
10.0	2062	2086	2086	2074	2070	2078	
12.5	2048	2056	2059	2061	2070	2058	
15.0	2020	2043	2052	2051	2063	2047	576
17.5	1992	2010	2017	2028	2034	2017	
20.0	1950	1975	1986	2000	2015	1985	
22.5	1906	1940	1951	1980	1980	1953	
25.0	1866	1882	1915	1936	1957	1911	878
27.5	1802	1829	1871	1892	1906	1861	
30.0	1742	1775	1814	1847	1874	1811	
32.5	1678	1709	1752	1797	1824	1752	
35.0	1591	1630	1687	1745	1783	1687	1049
37.5	1506	1548	1598	1678	1717	1609	
40.0	1414	1454	1507	1585	1639	1518	
42.5	1305	1343	1406	1500	1555	1420	
45.0	1200	1241	1313	1393	1450	1318	1012
47.5	1104	1132	1215	1284	1346	1214	
50.0	987	1022	1107	1177	1215	1102	
52.5	903	930	1011	1071	1097	1003	
55.0	811	816	888	945	973	885	791
57.5	715	723	782	833	851	780	
60.0	625	618	642	705	726	660	
62.5	536	526	526	583	611	552	
65.0	460	430	421	478	522	455	462
67.5	402	360	335	405	438	380	
70.0	340	306	266	336	385	318	
72.5	291	259	211	277	326	264	
75.0	254	220	194	242	294	232	247
77.5	216	189	171	200	261	200	
80.0	178	155	154	175	206	169	
82.5	138	120	118	134	151	129	
85.0	81	83	76	87	94	83	91
87.5	32	45	33	42	45	39	
90.0	0	0	0	0	0	0	

LUMENTRA, INC.
 160 FROBISHER DRIVE, UNIT 5
 WATERLOO, ONTARIO

TEST REPORT NO. XXX4C
 COMPUTED BY LSC PROGRAM **TEST-LITE**

COMPANY XYZ 2x4 LED LUMINAIRE CAT. NO. XXX4
 WITH WHITE POST-PAINTED INTERIOR AND PRISMATIC K12 LENS
 ARRAY OF WHITE LEDS. LUMEN OUTPUT = 5309 LMS.
 COMPANY ABC 120V LED DRIVER MODEL ABC1

AVERAGE LUMINANCE DATA

ANGLE	ALONG		CD. / SQ. M. (FOOTLAMBERTS)				ACROSS	
	22.5	45	67.5	90	112.5	135	157.5	
0	3247(947)	3247(947)	3247(947)	3247(947)	3247(947)	3247(947)	3247(947)	
30	3115(909)	3182(928)	3251(949)	3309(966)	3350(977)			
40	2858(834)	2947(860)	3048(889)	3212(937)	3313(967)			
45	2627(766)	2720(794)	2885(842)	3058(892)	3186(929)			
50	2378(694)	2471(721)	2665(778)	2843(829)	2927(854)			
55	2188(638)	2206(644)	2406(702)	2559(747)	2636(769)			
60	1936(565)	1919(560)	1990(580)	2189(639)	2249(656)			
65	1686(492)	1575(459)	1547(451)	1756(512)	1920(560)			
70	1538(448)	1391(406)	1207(352)	1524(444)	1740(508)			
75	1519(443)	1322(386)	1162(339)	1449(423)	1767(515)			
80	1582(461)	1382(403)	1376(401)	1562(456)	1839(536)			
85	1443(421)	1475(430)	1358(396)	1542(450)	1672(488)			

DETERMINED IN ACCORDANCE WITH CURRENT IES PUBLISHED PROCEDURES

LUMENTRA, INC.
 160 FROBISHER DRIVE, UNIT 5
 WATERLOO, ONTARIO

TEST REPORT NO. XXX4C
 COMPUTED BY LSC PROGRAM **TEST-LITE**

COMPANY XYZ 2x4 LED LUMINAIRE CAT. NO. XXX4
 WITH WHITE POST-PAINTED INTERIOR AND PRISMATIC K12 LENS
 ARRAY OF WHITE LEDS. LUMEN OUTPUT = 5309 LMS.
 COMPANY ABC 120V LED DRIVER MODEL ABC1

COEFFICIENTS OF UTILIZATION

ZONAL CAVITY METHOD

EFFECTIVE FLOOR CAVITY REFLECTANCE = .20

CC WALL	80				70				50				30				10				0
	70	50	30	10	70	50	30	10	50	30	10	50	30	10	50	30	10	50	30	10	0
RCR																					
0	1.19	1.19	1.19	1.19	1.16	1.16	1.16	1.16	1.11	1.11	1.11	1.11	1.06	1.06	1.06	1.06	1.02	1.02	1.02	1.02	1.00
1	1.10	1.06	1.02	.99	1.08	1.04	1.01	.97	1.00	.97	.94	.96	.94	.91	.92	.90	.89	.89	.89	.89	.87
2	1.02	.95	.89	.84	.99	.93	.87	.83	.89	.85	.81	.86	.82	.79	.83	.80	.77	.77	.77	.77	.75
3	.94	.84	.77	.72	.91	.83	.76	.71	.80	.75	.70	.78	.73	.69	.75	.71	.67	.67	.67	.67	.66
4	.87	.76	.68	.62	.84	.75	.67	.61	.72	.66	.61	.70	.64	.60	.68	.63	.59	.59	.59	.59	.57
5	.80	.68	.59	.53	.77	.67	.59	.53	.64	.58	.52	.63	.56	.52	.61	.56	.51	.51	.51	.51	.49
6	.74	.61	.53	.47	.72	.60	.52	.46	.58	.51	.46	.57	.50	.46	.55	.49	.45	.45	.45	.45	.43
7	.68	.55	.47	.41	.66	.54	.46	.41	.53	.45	.40	.51	.45	.40	.50	.44	.40	.40	.40	.40	.38
8	.63	.49	.41	.36	.61	.49	.41	.35	.47	.40	.35	.46	.40	.35	.45	.39	.35	.35	.35	.35	.33
9	.58	.45	.36	.31	.56	.44	.36	.31	.43	.36	.31	.42	.35	.30	.41	.35	.30	.30	.30	.30	.28
10	.53	.40	.32	.27	.52	.40	.32	.27	.39	.32	.27	.38	.31	.27	.37	.31	.27	.27	.27	.27	.25

DETERMINED IN ACCORDANCE WITH CURRENT IES PUBLISHED PROCEDURES
 LUMINAIRE INPUT WATTS = 70.8
 LABORATORY RESULT MAY NOT BE REPRESENTATIVE OF FIELD PERFORMANCE.
 ABSOLUTE PHOTOMETRY TAKEN.

LUMENTRA, INC.
160 FROBISHER DRIVE, UNIT 5
WATERLOO, ONTARIO

TEST REPORT NO. XXX4C

COMPANY XYZ 2x4 LED LUMINAIRE CAT. NO. XXX4
WITH WHITE POST-PAINTED INTERIOR AND PRISMATIC K12 LENS
ARRAY OF WHITE LEDS. LUMEN OUTPUT = 5309 LMS.
COMPANY ABC 120V LED DRIVER MODEL ABC1

AMBIENT TEMPERATURE: 25.0 °C

STABILIZATION TIME: 1 HOUR 30 MINUTES

THE LUMINAIRE WAS OPERATED IN THE ORIENTATION INDICATED BY THE DIAGRAM BELOW
LSI MOVING MIRROR GONIOPHOTOMETER 6240T WAS USED

ELECTRICAL CONSUMPTION

INPUT VOLTAGE: 120.0 VRMS
INPUT CURRENT: 0.593 ARMS
INPUT WATTAGE: 70.78
POWER FACTOR: 0.995

